

IBS-C6xxyyB-zkkR

6.144Gbps LC Receptacle BIDI SFP+ Transceiver

Features

- Up to 6.144Gbps data rate
- Standard Small Form Pluggable package with receptacle LC/UPC connector
- Compliant with SFP MSA
- SFF-8472 compliant digital diagnostic monitoring function implemented
- Internally calibrated mode
- Uncooled DFB laser transmitters
- High sensitive Pin-PD/APD Receiver
- Single +3.3V power supply
- Operating case temperature; 0°C to +70°C (-40°C to +85°C)
- Differential CML inputs and outputs
- Internally AC-Coupled electrical interface
- RoHS compliant

Description

IBS-C6xxyyB-zkkR SFP+ transceivers are designed to meet serial optical data communications specification. The transceivers are manufactured in hot pluggable capability package with receptacle LC connector interface and made of metallized housing to obtain excellent EMI shielding.

The transmitter consists of DFB laser in an optical subassembly (OSA).

The OSA is driven by a custom IC which converts differential CML logic signals into a laser diode drive current. The receiver includes a planar InGaAs Pin-PD/APD mounted with a transimpedance preamplifier IC in an OSA. The OSA is mated to a custom limiting-amplifier which provides post-amplification and signal detect function (Logic 0 indicates normal operation).

The transceivers are designed to used in a single power supply (+3.3V) and an operating temperature range of -40°C to +85°C

Applications

- Digital Wireless Repeaters
- Digital Wireless BTS Interconnects: CPRI 6.144Gbps Standards
- Metro Access Rings
- High-speed data links

IBS-C6xxyyB-zkkR

Absolute Maximum Ratings

Parameter	Symbol	Min	Typ	Max	Unit
Storage Temperature	T_{ST}	-40		+85	°C
Power Supply Voltage	V_{CC}	0		3.6	V
Operating Humidity	H_{OP}			85	% RH

Recommended Operating Conditions

Parameter	Symbol	Min	Typ	Max	Unit
Operating Case Temperature	T_{OP}	0(T_A)		70(T_C)	°C
	T_{OP}	-40(T_A)		85(T_C)	°C
Supply Voltage	V_{CC}	3.15	3.3	3.45	V
Power Supply Current	$I_{CC(Tx+Rx)}$			430	mA

Transmitter Characteristics_ IBS-C6xxyyB-z10R

Parameter	Symbol	Min	Typ	Max	Unit
Bit rate	B		6.144		Gbps
Wavelength	IBS-C62733	1260	1270	1280	nm
	IBS-C63327	1320	1330	1340	
Output Spectral Width (-20dB)	$\Delta\lambda$			1	nm
Average Launch Power	P_o	-4		+1	dBm
Extinction ratio	dB	4.5			dB
Side Mode Suppression Ratio	SMSR	30			dB
Differential data input swing	$V_{IN, p-p}$	200		1000	mV
TX_Disable Input High Voltage	V_{IH}	2.4			V
TX_Disable Input Low Voltage	V_{IL}			0.8	V
TX_Fault Output High Voltage	V_{OH}	Host Vcc - 0.5		Host Vcc	V
TX_Fault Output Low Voltage	V_{OL}	0		0.4	V
Average Launch Power of Off TX				-30	dBm

IBS-C6xxyyB-zkkR

Transmitter Characteristics_ IBS-C6xxyyB-z20R

Parameter		Symbol	Min	Typ	Max	Unit
Bit rate		B		6.144		Gbps
Wavelength	IBS-C62733	λ_T	1260	1270	1280	nm
	IBS-C63327		1320	1330	1340	
Output Spectral Width (-20dB)		$\Delta\lambda$			1	nm
Average Launch Power		P_o	0		+5	dBm
Extinction ratio		dB	4.5			dB
Side Mode Suppression Ratio		SMSR	30			dB
Differential data input swing		$V_{IN, p-p}$	200		1000	mV
TX_Disable Input High Voltage		V_{IH}	2.4			V
TX_Disable Input Low Voltage		V_{IL}			0.8	V
TX_Fault Output High Voltage		V_{OH}	Host Vcc - 0.5		Host Vcc	V
TX_Fault Output Low Voltage		V_{OL}	0		0.4	V
Average Launch Power of Off TX					-30	dBm

Transmitter Characteristics_ IBS-C6xxyyB-z40R

Parameter		Symbol	Min	Typ	Max	Unit
Bit rate		B		6.144		Gbps
Wavelength	IBS-C62733	λ_T	1260	1270	1280	nm
	IBS-C63327		1320	1330	1340	
Output Spectral Width (-20dB)		$\Delta\lambda$			1	nm
Average Launch Power		P_o	0		+5	dBm
Extinction ratio		dB	4.5			dB
Side Mode Suppression Ratio		SMSR	30			dB
Differential data input swing		$V_{IN, p-p}$	200		1000	mV
TX_Disable Input High Voltage		V_{IH}	2.4			V
TX_Disable Input Low Voltage		V_{IL}			0.8	V
TX_Fault Output High Voltage		V_{OH}	Host Vcc - 0.5		Host Vcc	V
TX_Fault Output Low Voltage		V_{OL}	0		0.4	V
Average Launch Power of Off TX					-30	dBm

IBS-C6xxyyB-zkkR

Receiver Characteristics_ IBS-C6xxyyB-z10R

Parameter		Symbol	Min	Typ	Max	Unit
Bit rate		B		6.144		Gbps
Wavelength	IBS-C62733	λ_R	1320	1330	1340	nm
	IBS-C63327		1260	1270	1280	
Differential data output swing		$V_{OUT, p-p}$	200		800	mV
RX_LOS Output Voltage-high		V_{OH}	Host Vcc - 0.5		Host Vcc	V
RX_LOS Output Voltage-Low		V_{OL}	0		0.4	V
Rx Sensitivity (Note1)		P_{min}			-14	dBm
Maximum Input Power		P_{max}	0			dBm
LOS De-Assert		LOS_D			-15	dBm
LOS Assert		LOS_A	-35			dBm
LOS Hysteresis		LOS_{HYS}	0.5			dB

Note 1) Sensitivity and saturation level at PRBS2²³-1, @6.144Gbps, BER 1×10^{-12} , Source ER=4.5dB.

Receiver Characteristics_ IBS-C6xxyyB-z20R

Parameter		Symbol	Min	Typ	Max	Unit
Bit rate		B		6.144		Gbps
Wavelength	IBS-C62733	λ_R	1320	1330	1340	nm
	IBS-C63327		1260	1270	1280	
Differential data output swing		$V_{OUT, p-p}$	200		800	mV
RX_LOS Output Voltage-high		V_{OH}	Host Vcc - 0.5		Host Vcc	V
RX_LOS Output Voltage-Low		V_{OL}	0		0.4	V
Rx Sensitivity (Note1)		P_{min}			-15	dBm
Maximum Input Power		P_{max}	0			dBm
LOS De-Assert		LOS_D			-15	dBm
LOS Assert		LOS_A	-35			dBm
LOS Hysteresis		LOS_{HYS}	0.5			dB

Note 1) Sensitivity and saturation level at PRBS2²³-1, @6.144Gbps, BER 1×10^{-12} , Source ER=4.5dB.

IBS-C6xxyyB-zkkR

Receiver Characteristics_ IBS-C6xxyyB-z40R

Parameter	Symbol	Min	Typ	Max	Unit	
Bit rate	B		6.144		Gbps	
Wavelength	IBS-C62733	λ_R	1320	1330	1340	nm
	IBS-C63327		1260	1270	1280	
Differential data output swing	$V_{OUT, p-p}$	200		800	mV	
RX_LOS Output Voltage-high	V_{OH}	Host Vcc - 0.5		Host Vcc	V	
RX_LOS Output Voltage-Low	V_{OL}	0		0.4	V	
Rx Sensitivity (Note1)	P_{min}			-21	dBm	
Maximum Input Power	P_{max}	-7			dBm	
LOS De-Assert	LOS_D			-22	dBm	
LOS Assert	LOS_A	-40			dBm	
LOS Hysteresis	LOS_{HYS}	0.5			dB	

Note 1) Sensitivity and saturation level at PRBS2^23-1, @6.144Gbps, BER 1×10^{-12} , Source ER=4.5dB.

Block Diagram

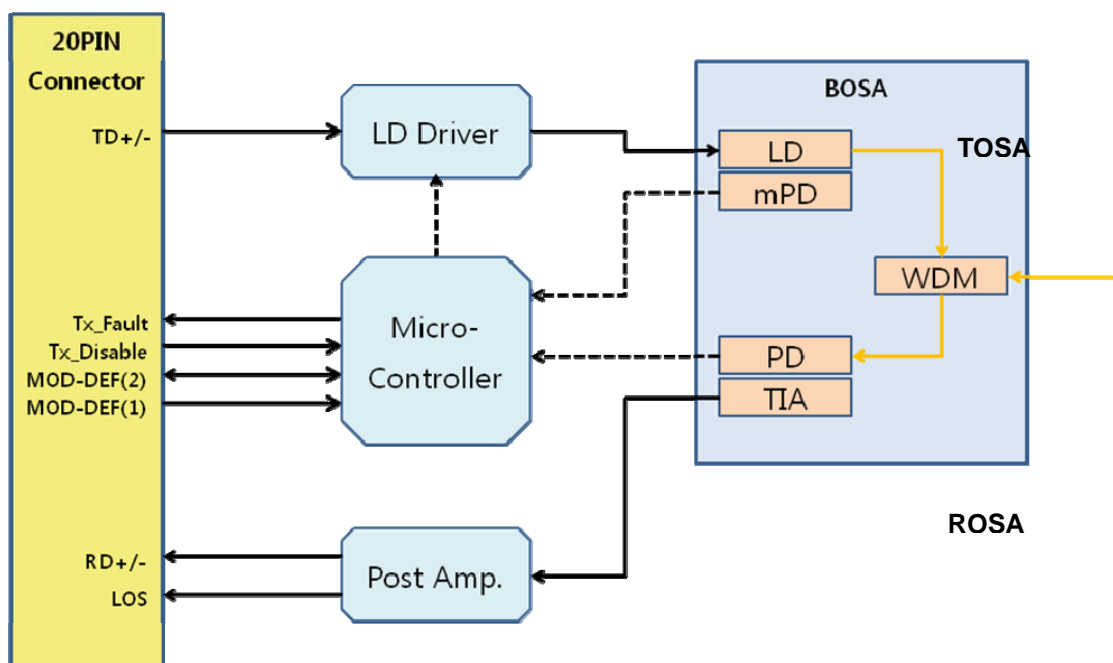


Fig. 1 Block Diagram

IBS-C6xxyyB-zkkR

PIN description

These devices can be installed in or removed from any MSA-compliant Pluggable Small Form Factor port regardless of whether the host equipment is operating or not. These devices are simply inserted, electrical-interface first, under finger-pressure. Controlled hot-plugging is ensured by 3-stage pin sequencing at the electrical interface. See the Fig. 2. As these devices are inserted, first contact is made by the housing ground shield, discharging any potentially component-damaging static electricity. Ground pins engage next and are followed by TX and RX power supplies. Finally, signal pins are connected.

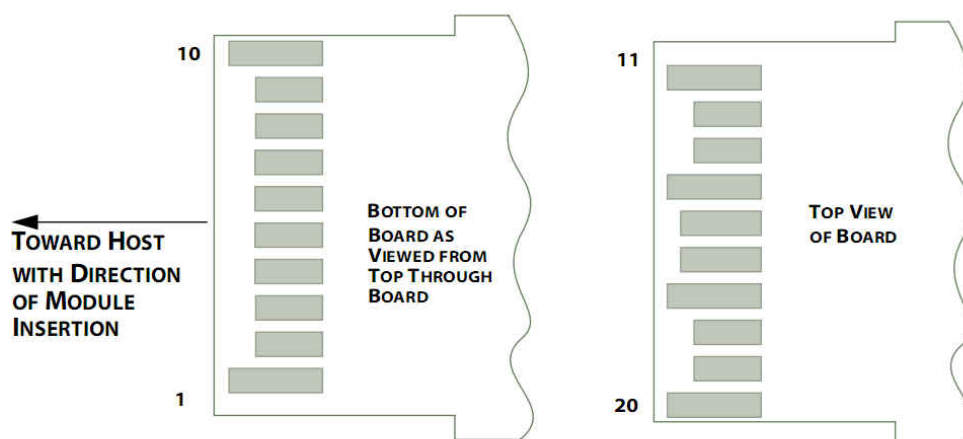


Fig. 2 SFP+ Transceiver Electrical Pad Layout

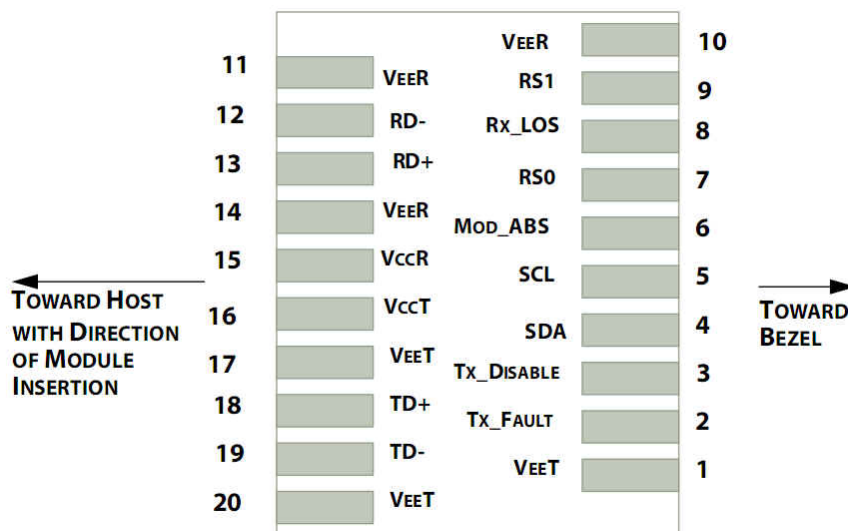


Fig. 3 Host PCB SFP+ Pinout

IBS-C6xxyyB-zkkR

PIN assignment

Pin	Name	In/Out	Logic	Description	Note
1	VeeT			Module Transmitter Ground	
2	TX_Fault		LVTTTL	Module Transmitter Fault	2
3	TX_Dis	I	LVTTTL	Transmitter Disable; Turns off transmitter laser output	3
4	SDA	I/O	LVTTTL	2-Wire Serial Interface Data Line	
5	SCL	I/O	LVTTTL	2-Wire Serial Interface Clock	
6	Mod_ABS			Module Absent, connected to VeeT or VeeR in the module	2
7	RS0	I	LVTTTL	Rate Select 0 (not functional for 10GE type)	
8	RX_LOS	O	LVTTTL	Receiver Loss Of Signal Indication (In FC designated as RX_LOS and in Ethernet designated as Signal Detect)	2
9	RS1	I	LVTTTL	Rate Select 1 (not functional for 10GE type)	
10	VeeR			Module Receiver Ground	1
11	VeeR			Module Receiver Ground	1
12	RD-	O	CML	Receiver Inverted Data Output	
13	RD+	O	CML	Receiver Non-Inverted Data Output	
14	VeeR			Module Receiver Ground	1
15	VccR			Module Receiver 3.3 V Supply	
16	VccT			Module Transmitter 3.3 V Supply	
17	VeeT			Module Transmitter Ground	1
18	TD+	I	CML	Transmitter Non-Inverted Data Input	
19	TD-	I	CML	Transmitter Inverted Data Input	
20	VeeT			Module Transmitter Ground	1

Note

- 1: Module ground pins are isolated from the module case and chassis ground within the module.
- 2: Shall be pulled up with 4.7k to 10k ohm to a voltage between 3.15V and 3.45V on the host board.
- 3: Shall be pulled up with 4.7k to 10k ohm to VccT in the module.

IBS-C6xxyyB-zkkR

Timing Characteristics

Parameter	Symbol	Min	Max	Unit	Condition
TX_DISABLE Assert Time	t_{off}		10	us	Time from rising edge of TX_DISABLE to when the optical output falls below 10% of nominal
TX_DISABLE Negate Time	t_{on}		1	ms	Time from falling edge of TX_DISABLE to when the modulated optical output rises above 90% of nominal
Time to Initialize, Including Reset of TX_FAULT	t_{init}		300	ms	From power on or negation of TX_FAULT using TX_DISABLE
TX_FAULT Assert Time	T_{fault}		100	us	Time from fault to TX_FAULT on
TX_DISABLE to Reset	T_{reset}	10		us	Time TX_DISABLE must be held high to reset TX_FAULT
RX_LOS Assert Time	t_{loss_on}		100	us	Time from LOS state to RX_LOS Assert
RX_LOS Negate Time	t_{loss_off}		100	us	Time from non-LOS state to RX_LOS deassert

Two-wire Interface Protocol

The Intec E&C SFP+ transceiver supports a two-wire management interface as specified in the SFP MSA. Two-wire bus timing is shown in Fig. 4. SFP 2-wire timing specifications are given in Table 1.

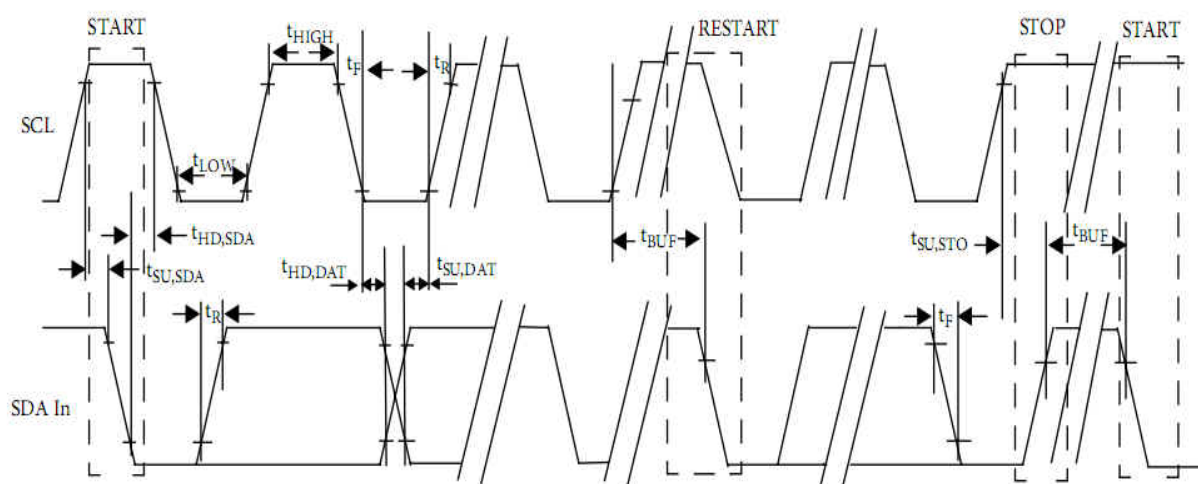


Fig. 4 2-wire timing diagram

IBS-C6xyyB-zkkR

Table 1.

Parameter	Symbol	Min	Max	Unit	Condition
Clock Frequency	f_{SCL}	0	400	kHz	Module shall operate with up to 100kHz without requiring clock stretching. The module may clock stretch with greater than 100kHz and up to 400kHz
Clock Pulse Width Low	t_{LOW}	1.3		μs	
Clock Pulse Width High	t_{HIGH}	0.6		μs	
Time bus free before new transmission can start	t_{BUF}	20		μs	Between STOP and START and ACK and ReSTART
START Hold Time	$t_{HD,STA}$	0.6		μs	
START Set-up Time	$t_{SU,STA}$	0.6		μs	
DATA In Hold Time	$t_{HD,DAT}$	0		μs	
DATA In Set-up Time	$t_{SU,DAT}$	0.1		μs	
Input Rise Time (100KHz)	$t_{R,100}$		1000	ns	From ($V_{IL,MAX} - 0.15$) to ($V_{IH,MIN} + 0.15$)
Input Rise Time (400KHz)	$t_{R,400}$		300	ns	From ($V_{IL,MAX} - 0.15$) to ($V_{IH,MIN} + 0.15$)
Input Fall Time (100KHz)	$t_{F,100}$		300	ns	From ($V_{IH,MIN} + 0.15$) to ($V_{IL,MAX} - 0.15$)
Input Fall Time (400KHz)	$t_{F,400}$		300	ns	From ($V_{IH,MIN} + 0.15$) to ($V_{IL,MAX} - 0.15$)
STOP Set-up Time	$t_{SU,STO}$	0.6		μs	

IBS-C6xxyyB-zkkR

SFP Host Board Mechanical Layout [unit: mm]

A typical host board mechanical layout for attaching the SFP connector and cage system is shown in Fig. 5 and Fig. 6.

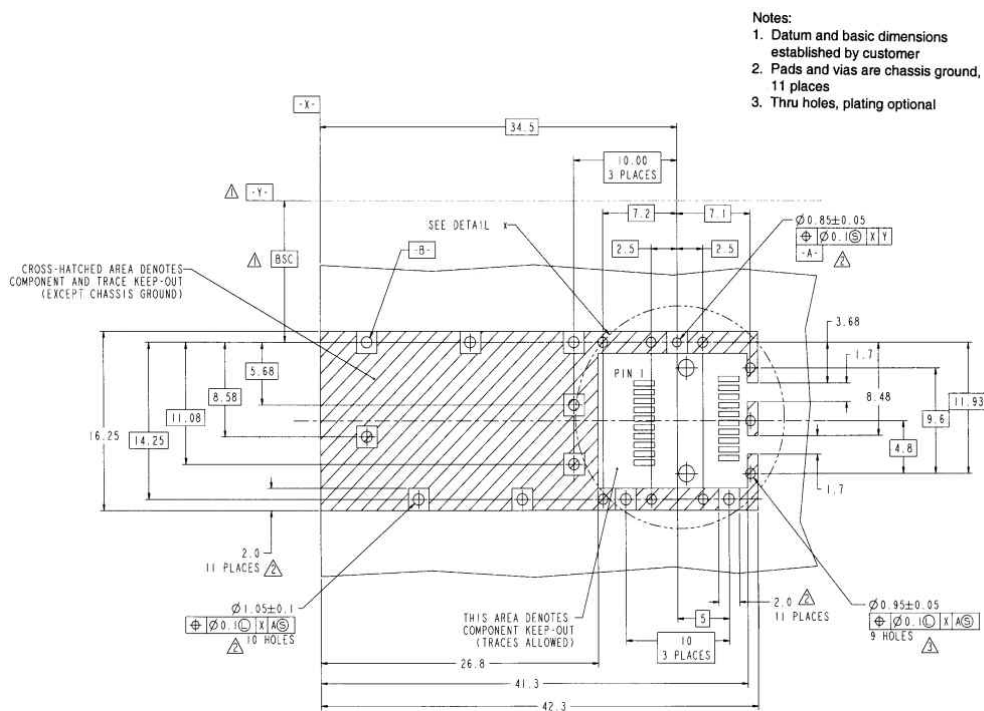


Fig. 5 Host board mechanical layout(mm)

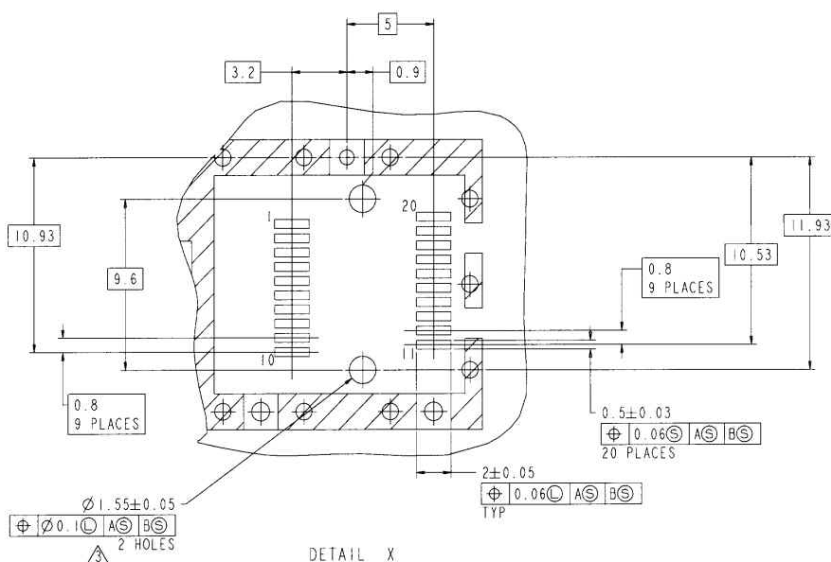


Fig. 6 Detailed host board mechanical layout(mm)

IBS-C6xxyyB-zkkR

Host Board Power Supply filtering

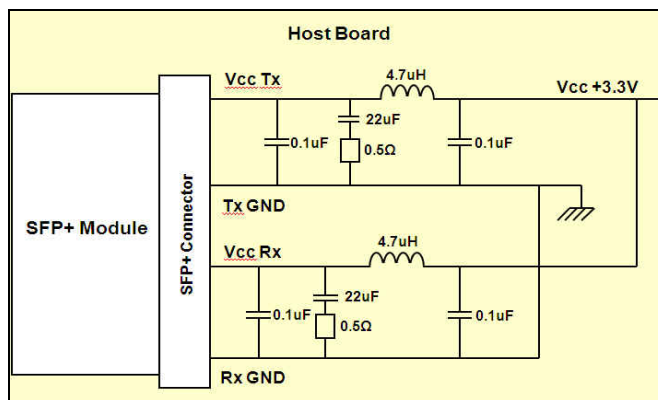


Fig. 7 Host board power supply filtering

Recommended Circuit Schematic

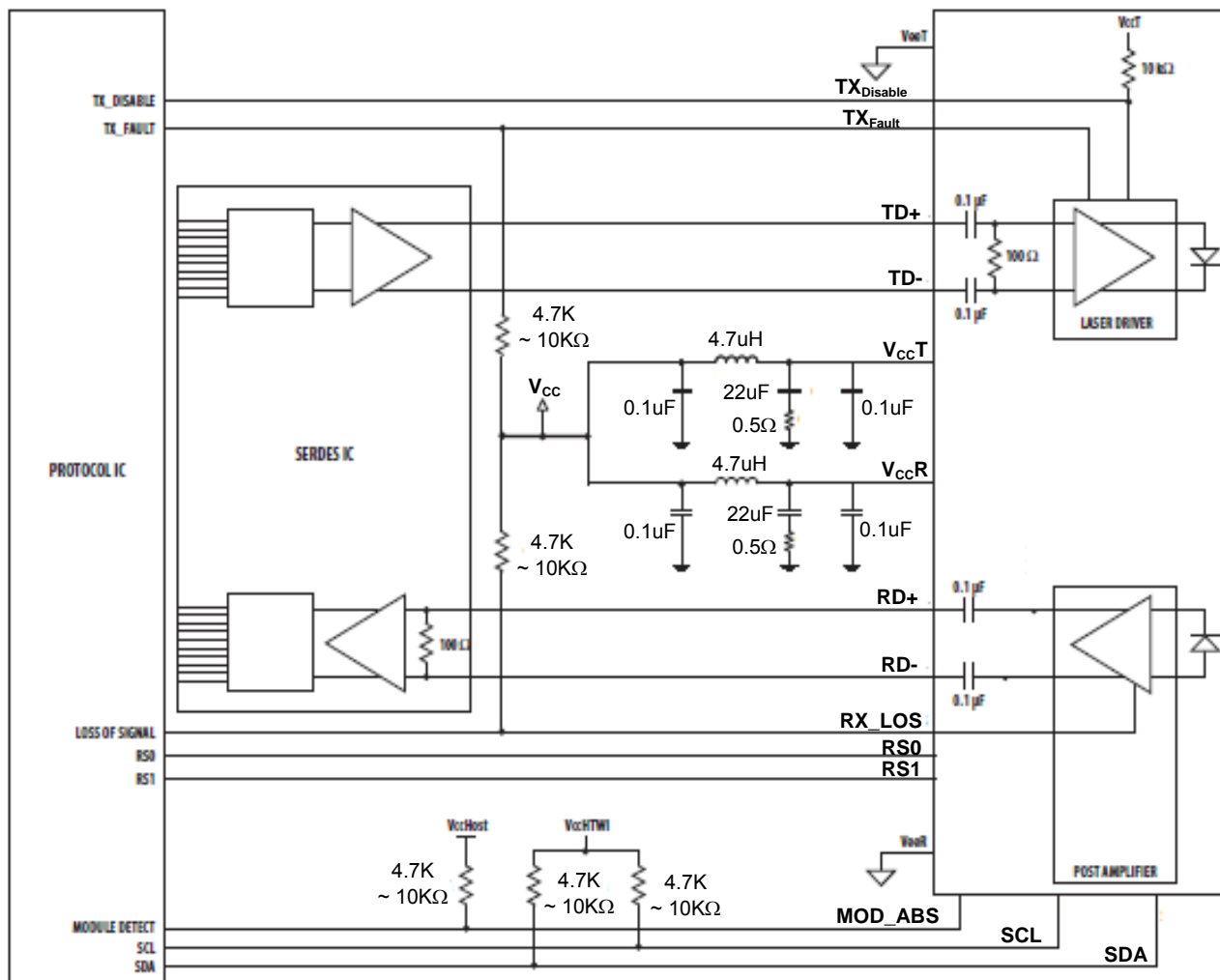


Fig. 8 SFP+ Host board Schematic Application

IBS-C6xyyB-zkkR

Digital Diagnostic Functions

The IBS-C6xyyB-zkkR SFP+ transceivers support the 2-wire serial communication protocol (I²C) as defined in the SFP MSA. Through this serial communication, these transceivers provide access to identification information that describes their capabilities, standard interfaces, manufacturer, and other information. In addition, these SFP+ transceivers provide enhanced digital diagnostic monitoring interface, which allows real-time access to device operating conditions such as internal temperature, laser bias current, transmitted optical power, received optical power and supply voltage. It also defines a sophisticated system of alarm and warning flags.

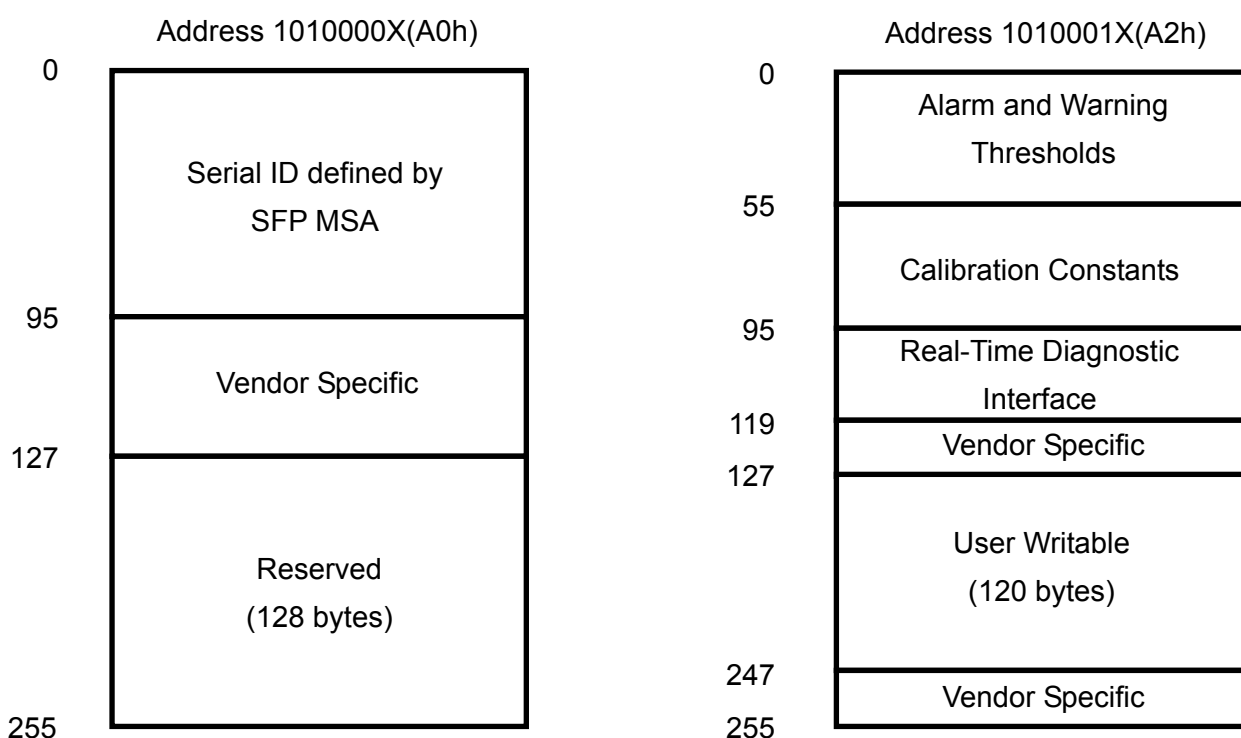


Fig. 9 Two-wire serial digital memory map

IBS-C6xxyyB-zkkR

Ordering Information

For more information on this or other products and their availability, please contact e-mail at sales@intecec.com.

①	②	-	③	④	⑤	⑥	-	⑦	⑧	⑨
---	---	---	---	---	---	---	---	---	---	---

No.	ITEM	Code	Description
①	Company	I	INTEC E&C
②	Form Factor	BS	BIDI SFP+
③	Data-rate	C6	6.144Gbps
④	Tx wavelength select	xx	27(1270nm), 33(1330nm)
⑤	Rx wavelength select	yy	27(1270nm), 33(1330nm)
⑥	Optical interface	B	LC-UPC receptacle
⑦	Temperature range	z	C : 0°C ~ 70°C, I : -40°C ~ 85°C
⑧	Transmission Distance	kk	10/20/40Km,
⑨	RoHS	R	RoHS compliant

Contact:

Add: A-14th, Gunpo IT Valley, 17, Gosan-ro 148beon-gil, Gunpo-si, Gyeonggi-do, Korea

TEL : +82-31-454-9315~7

FAX : +82-31-454-9388

E-mail: sales@intecec.com

<http://www.intecec.com>