

Data Sheet(Optic analog Module Series)

ITOM-B1100-1600-DND21 / RRD21

Electrical Specification

Parameters		Unit	Min	Max	Remark
Optical output power		dBm	0	6	
Wave length		nm	1300	1320	
RF Gain		dB	-2	2	
Frequency		MHz	1100	1600	
Flatness		dB(p-p)		1	
VSWR				1.5	S11/S22
IP3 (0dBm / Tone)		dBc	25		
Output noise floor		dBm/Hz		-130	
Directivity		dBc	60		
Current	12V	mA		400	
Operating Temperature			-20℃ ~ +70℃		
Optic Connector			FC/APC		
RF Connector			SMA Female		

Data Sheet(Optic analog Module Series)

Pin Map

Pin Configurations				
Transmitter		Receiver		Normal Low TTL Level Alarm
1	VCC(+12V)	1	VCC(+12V)	
2	GND	2	GND	
3	LD ALARM	3	PD ALARM	

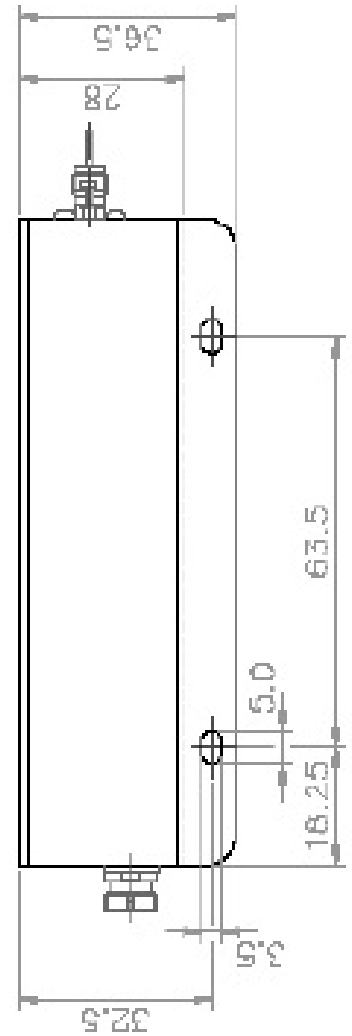
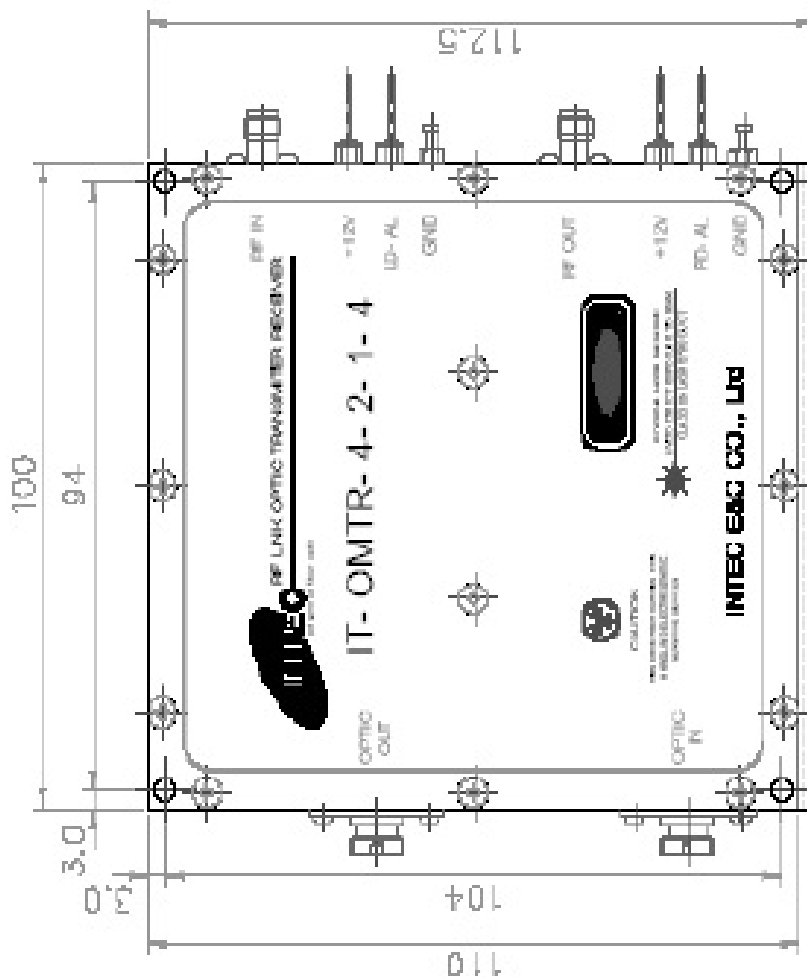
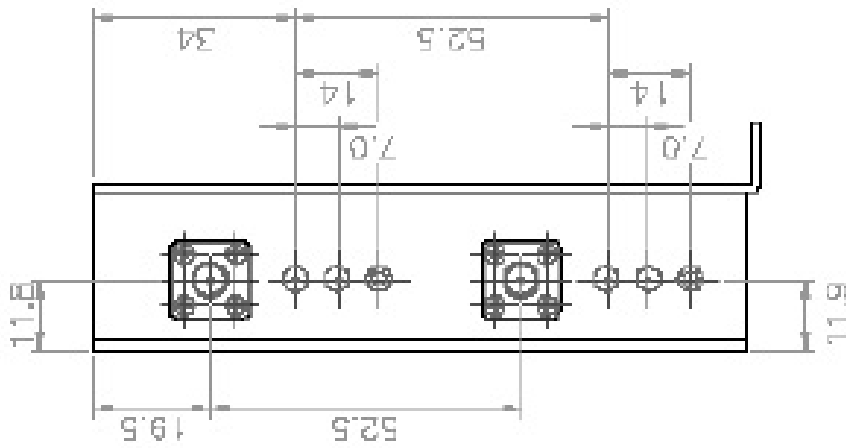
- Working distance : 25Km
- Remark : Alarm is TTL Level Low Normal

Absolute Maximum Ratings

Absolute Maximum Rating			
Parameter	Symbol	Rating	Unit
Optical Input Power		4	mW
RF Input Power		10	dBm
DC Supply Volts		12	V
Operating Temperature		-20 ~ +70	°C

Data Sheet(Optic analog Module Series)

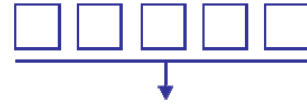
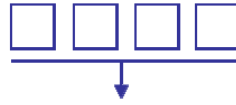
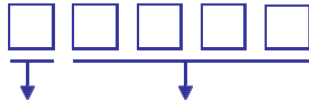
Mechanical Specification



Data Sheet(Optic analog Module Series)

Ordering Information

ITOM



Model	Start Frequency
S - Single band	0001 - 1MHz
M - Multiband	0002 - 2MHz
B - Broadband	.
T - CATV	.
C - Customized	3000 - 3000MHz

End Frequency
0001 - 1MHz
0002 - 2MHz
.
.
3000 - 3000MHz

Type	LD Type	Optic Connector	Wave length
DN - Donor	F - FP	1 - FC/UPC	1 - 1Wave
RR - Remote	D - DFP	2 - FC/APC	2 - 2Wave
TR - Transmitter		3 - SC/UPC	3 - 3Wave
RE - Receiver		4 - SC/APC	4 - 4Wave
R1 - Remote1		5 - LC/UPC	C - Customized
R2 - Remote2		6 - LC/APC	
R3 - Remote3		C - Customized	

Contact:

Add: # 303, 304 Daelim Plaza, 1027-20, Hogye-dong, Dongan-gu, Anyang-si, Kyunggido, Korea

TEL : +82-31-454-9315

FAX : +82-31-454-9388

E-mail:sales@intecec.com

<http://www.intecec.com>