

Data Sheet(Optic analog Module Series)

ITOM-S1920-2150-DND22 / RRD22

Electrical Specification

Parameters	Unit	Min	Max	Remark
Optical output power	dBm	7	8	Donor, Remote
Wave length	nm	1540	1560	Donor
	nm	1300	1320	Remote
Frequency	MHz	2110	2150	DL
	MHz	1920	1960	UL
RF Gain	dB	-11	-9	DL, UL
Flatness	dB(p-p)		1.5	
VSWR			1.5	S11 / S22
Optic Scattering Noise (DL,UL)	dB	10		@ 10Km Spool
ACLR	F±5MHz	dBc	48	@ WCDMA (5MHz, 4FA)
	F±10MHz	dBc	52	
Alarm	LD	dBm	-5	Normal : High(+5V) TTL
	PD	dBm	-10	
Gain Variation	dB(p-p)		1.5	
Operating Temperature	-30℃ ~ +70℃			
Optic Connector	FC/APC			
RF Connector	SMA Female			

Data Sheet(Optic analog Module Series)

Pin Map

5Pin Connector Configurations	
1	Vcc (+6V)
2	LD ALM (Normal LOW, Alarm HIGH : +5V)
3	PD ALM (Normal LOW, Alarm HIGH : +5V)
4	INS (LOW)
5	GND

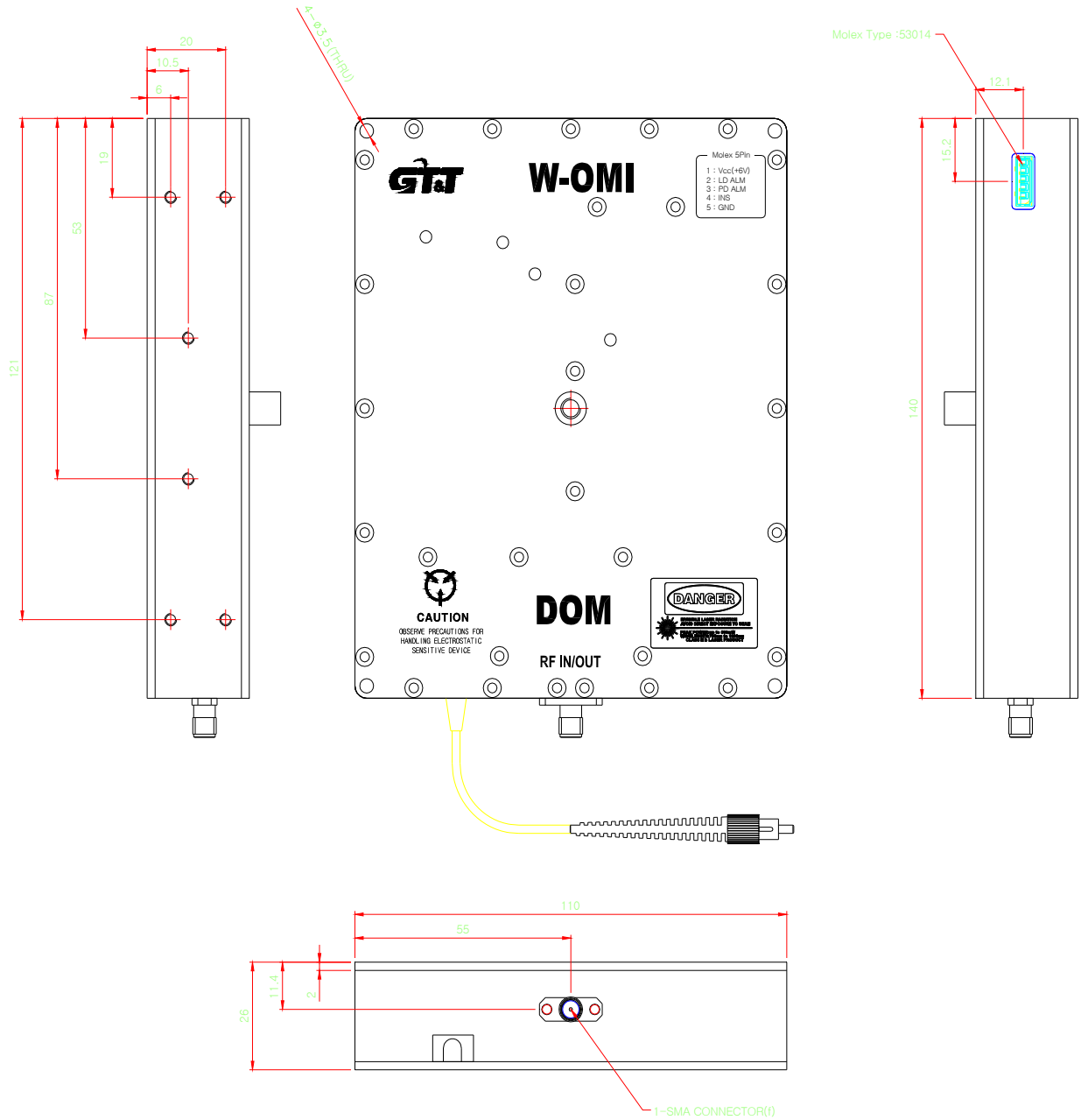
Absolute Maximum Ratings

Absolute Maximum Rating			
Parameter	Symbol	Rating	Unit
Optical Input Power		8	dBm
RF Input Power		0	dBm
DC Supply Volts		6	V
Operating Temperature		-30 ~ +70	°C

Data Sheet(Optic analog Module Series)

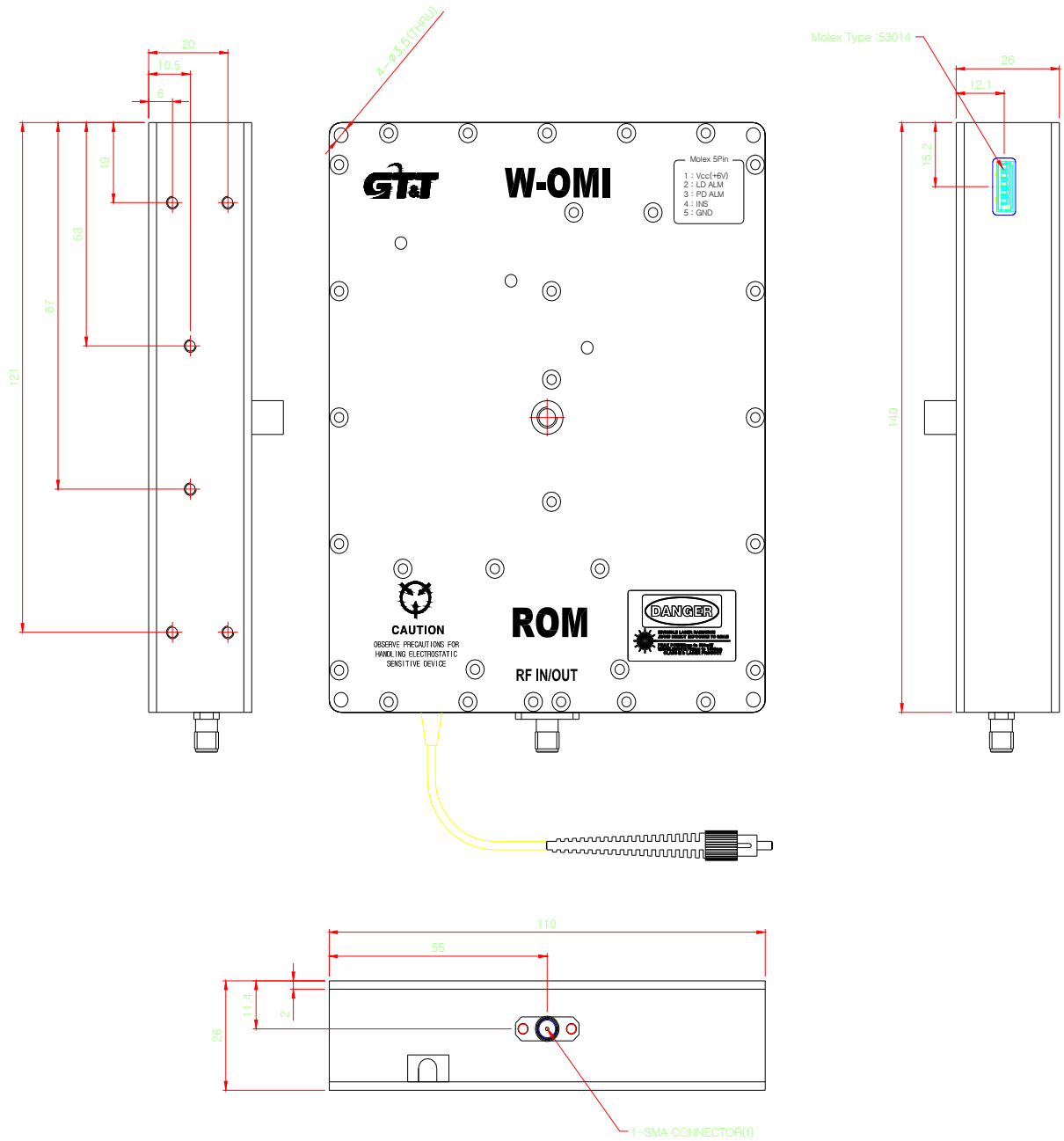
Mechanical Specification

1. Donor



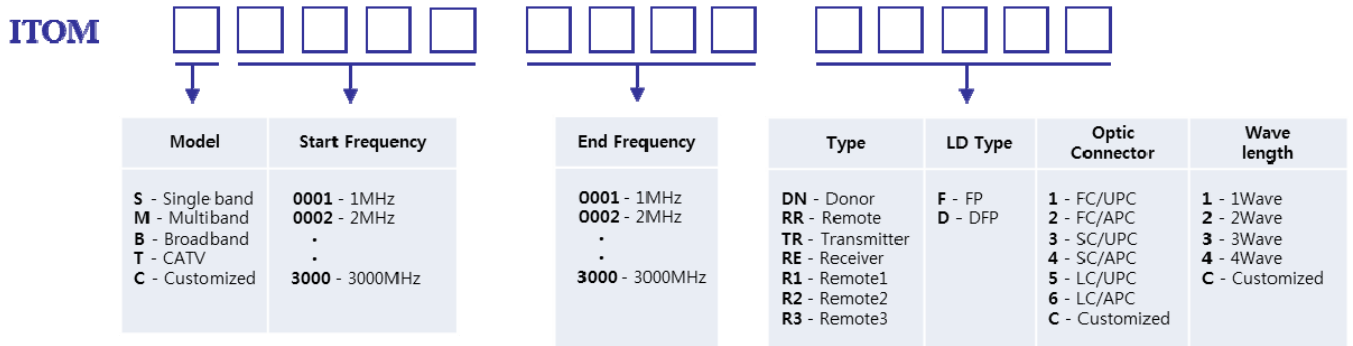
Data Sheet(Optic analog Module Series)

2. Remote



Data Sheet(Optic analog Module Series)

Ordering Information



Contact:

Add: # 303, 304 Daelim Plaza, 1027-20, Hoguey-dong, Dongan-gu, Anyang-si, Kyunggido, Korea

TEL : +82-31-454-9315

FAX : +82-31-454-9388

E-mail:sales@intecec.com

<http://www.intecec.com>